

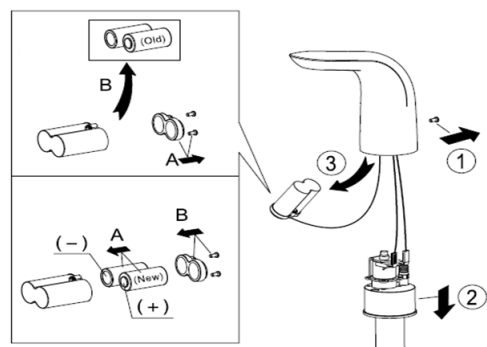
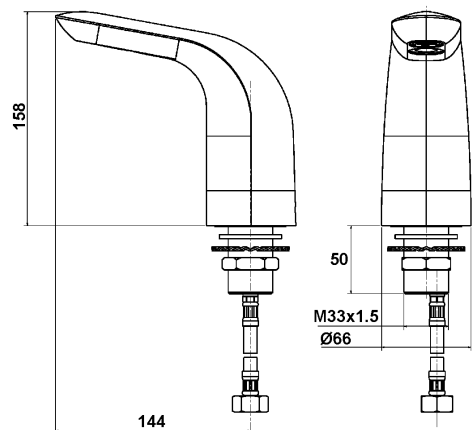


PROJECT		REF		REV	ITEM CODE	
LOCATION		DATE			PAGE	

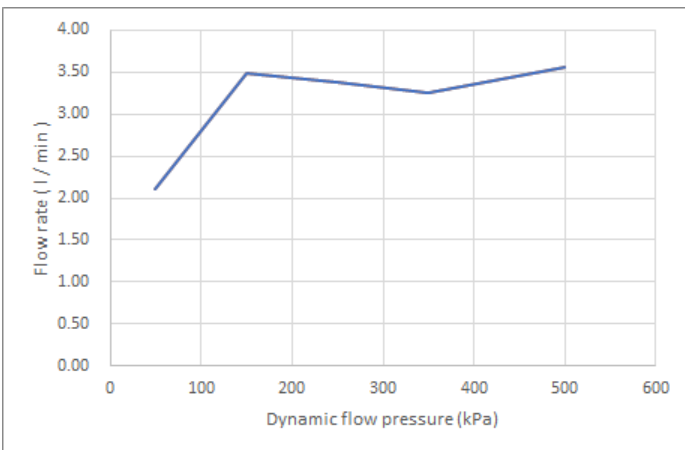
SANITARY WARE SPECIFICATION SHEET

Item Descriptions	American Standard (PRC) "Lux" Chrome plated deck mounted sensor faucet (Integrated) top access replacement of batteries; DC supply; nominated flow rate 1.6 l/min in WELS Grade 1; Registration No. TN 22-0017
Dimensions	L144 x W66 x H158 mm
Model	CF-8832.000.50 (Mixer) FF1-CN521A00000059 (Aerator)
Finish	Chrome Plated
Manufacturer	American Standard (PRC)
Source	Acme Sanitary Ware Co. Ltd Mr. Eric Wong/ Mr. Don Yuen
Contact Tel/Fax	(852) 2388-7171 / (852) 2710-8012
E-mail	acme@acmesanitary.com.hk
Website	www.acmesanitary.com.hk

Illustration/ Drawing



Battery: Lithium Battery
Sensor Type: Infra-red sensor
Sensor Distance: 50mm-200mm, default 80mm/ Kodak grey board
Operation Pressure: 0.05 Mpa-0.75 Mpa
Recommended Pressure: 0.1-0.55 Mpa
Pipe Diameter: G 1/2"
Environmental Temperature: 1°C - 55°C
Working Water Temperature: 1°C - 45°C
Water Saving Function: Automatically stop beyond 59 seconds.



Dynamic flow pressure (kPa)	50	150	250	350	500
Flow rate (l/min)	2.10	3.48	3.38	3.25	3.55

* All information of the above is for the reference only. No prior notice is made if any changes.

註冊號碼 (Registration No.): TN 22-0017




自願參與用水效益標籤計劃 - 水龍頭
Voluntary Water Efficiency Labelling Scheme - Water Taps



茲證明
This is to certify that

將下列水龍頭在本計劃內註冊：
has registered the following water tap under this scheme :

牌子 / Brand	:	American Standard
型號 / Model	:	CF-8832.000.50 + FF1-CN521A00000059
種類 / Type	:	Non-mixing
原產地 / Country or Region Origin	:	China (Tap) Germany (Flow Controller)

在用水效益標籤上展示的標誌 <i>Symbolic Presentation on the Water Efficiency Label</i>	:		滴水點 <i>Water droplet(s)</i>
用水效益級別 <i>Water Efficiency Grade</i>	:	1	with additional merit*
耗水量 <i>Water Consumption</i>	:	1.6	公升/分鐘 <i>litres/minute</i>

*with additional merit of "Automatic closing mechanism"

簽發日期: 17 January 2022
Date of Issue:

 水務署
Water Supplies Department



水務署署長(尤孝賢代行)
for Director of Water Supplies



Department

七號入境事務大樓 48 樓
48/F, Immigration Tower, 7 Gloucester Road, Wan Chai, Hong Kong

本署檔號 : (5) in WSD 3321/2021 T/J(342/2021)
Our ref.
來函檔號 :
Your ref.

電話 :
Tel.
傳真 : 2824 0578
Fax.

15 September 2021



Approval of "AMERICAN STANDARD" Sensor Tap (General Acceptance No. C20211043)

Your letter ref. WRC/2295 dated 18 February 2021 and subsequent submissions received by this department up to 10 August 2021 refer.

Having considered the test report ref. J25355 issued on 23 July 2020 by Nutek Systems (HK) Ltd., this Authority accepts that the fitting described below complies with, and its use when correctly installed does not contravene, the Waterworks Ordinance and Regulations.

Name of Manufacturer: Jiangmen LIXIL AS Sanitary Fitting Manufacturing Co Ltd

Country of Origin: the Mainland of China

Brand: American Standard

Details of Fitting: 1/2" Deck mounted sensor tap

Model: CF-8832.000.50

Body Markings: *American Standard*

Expiry Date: 14 June 2025



This Authority hereby permits the use of the above fitting in fresh water plumbing systems subject to full adherence to Waterworks installation requirements. In particular, you are required to draw your customers' attention to the following requirement-

“A stop cock or gate valve must be installed at the upstream of the fitting for manual isolation of water supply.” AND

“The main voltage operated sensor valve should comply with the electricity safety regulation for applications in bathroom, toilet etc.”

A condition of this acceptance is that the fitting to be installed shall be replicas of the sample as certified by the testing agent mentioned above and without modifications. This acceptance may be withdrawn at any time if the standard of the fitting installed fail to meet that of the approved sample or if the fitting is found to be unsuitable for use in fresh water plumbing systems.

This acceptance is only applicable to the main body of the fitting, unless otherwise specified.

For the use of the fitting in any project, the General Acceptance Number of this letter must be quoted as a means of identification of acceptance of the fitting by this Authority.

Should you have any enquiries, please contact our Engineer Mr. Terry KUNG at tel. no. 3583 4086.

Yours faithfully,



(YAU Hau Yin)

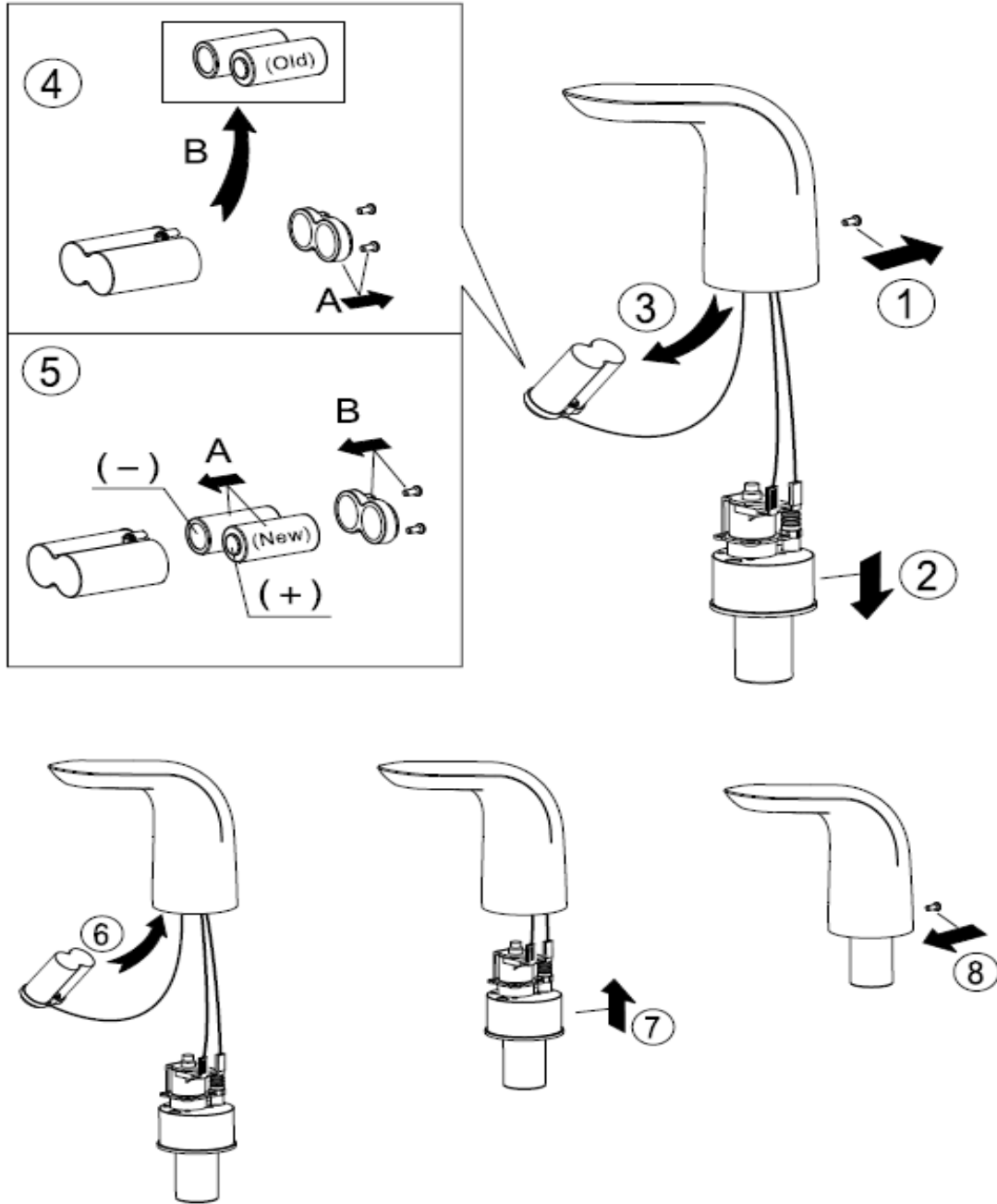
for Director of Water Supplies

Encl.

c.c. WSD 3321/1/82] - without catalogue
 ME/MC] - with soft copy only

Care & Maintenance

* Replacing Battery (CF-8831/CF-8832)



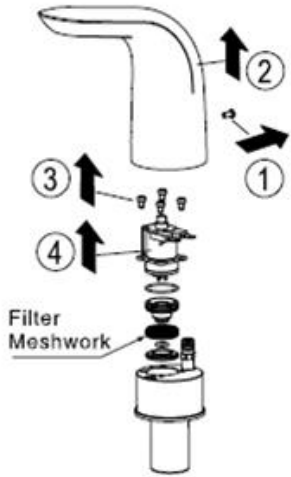
Caution

1. Remove all the impurities in pipes before beginning to avoid clogging.
2. Water supply for this product should be drinking water. Seawater is forbidden.
3. Check installation distances with the dimension diagram to ensure correct installation.
4. To avoid surface damage by improper cleaning, please refer the attached care and Maintenance instruction.
5. Before using the mixed water spout, please make sure the temperature adjustment handle is set with the biggest status of cold water and then turn the handle slowly to avoid scald.
6. When installing the battery, please pay attention to the right side of anode and cathode and make sure the battery box is airproof to avoid the damp on its effect.
7. Don't make the sensor window close to electromagnetic or the strong ultraviolet radiation so as not to affect the normal work of the installation.
8. Please turn off the water supply system during maintenance.
9. Keep the sensor window clean. And don't knock on it.
10. Organic solvent shouldn't spray to the sensor window directly.

Care & Maintenance

1. Filter for Care & Maintenance

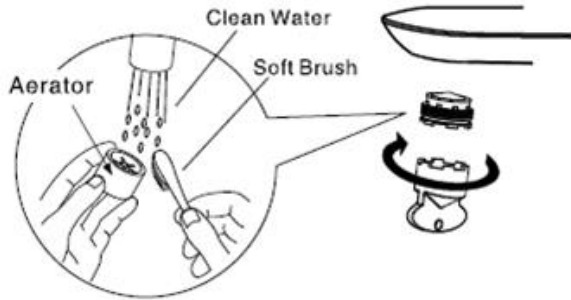
The Stop Valve of this sensor faucet has equipped with good quality filter, But the impure water or impuring in the water pipe will affect the water flow, in this condition, you should clean the filter, the process is as below:



CF-8831 / CF-8832

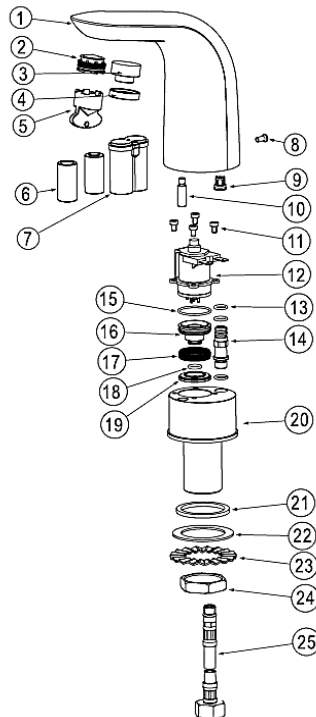
If necessary, you could clean the aerator too as per below step

- 1). Screw off the Aerator from the Spout.
- 2). Clean the Aerator with water.
- 3). Reinstall the Aerator to the Spout.



Parts List	No.	Part Noame	Q'ty
	1	Spout	1
	2	Wrench	1
	3	Aerator	1
	4	Sensor	1
	5	Nut	1
	6	Battery	2
	7	Battery Box	1
	8	Screw	1
	9	valve	1
	10	Peg	1
	11	Screw	4
	12	Solenoid Valve	1
13	O-Ring	3	

No.	Part Noame	Q'ty
14	Linker	1
15	O-Ring	1
16	Seat	1
17	Filter Meshwork	1
18	O-Ring	1
19	Seat	1
20	Seat	1
21	Washer	1
22	Washer	1
23	Washer	1
24	Nut	1
25	Hose	1



Open the valve box, unplug signal wire from circuite board, wait for a moment than plug it again.

